

INSTALLATION MANUAL

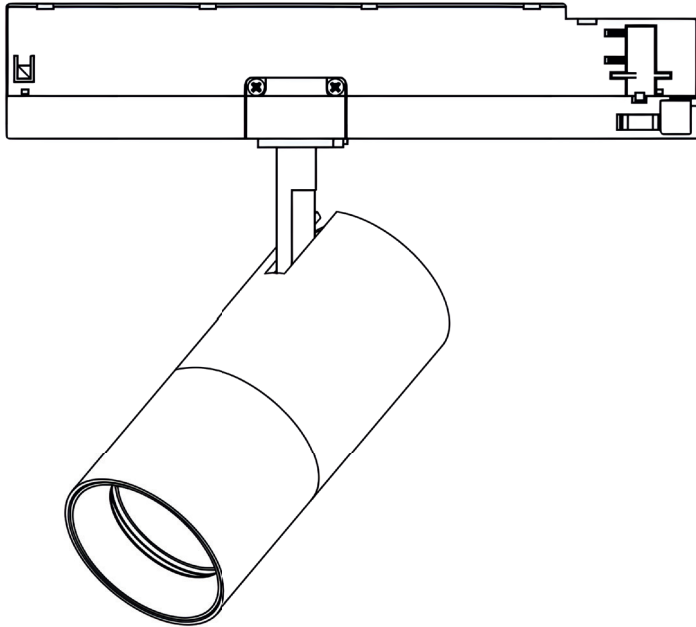
PRODUCT MODELS:

EASY 62 - 52 NEO TRACK 230V

EASY 62 - 52 NEO DOUBLE ARM TRACK 230V

EASY 62 - 52 NEO MAGNET - TRACK 230V

EASY 62 - 52 NEO GHOST TRACK 230V



EASY NEO TRACK 230V



INSTALLATION MANUAL SUITABLE FOR MODELS

pp. 3-4 **EASY NEO TRACK 230V**

pp. 5-6 **EASY NEO DOUBLE ARM TRACK 230V**

pp. 7-10 **EASY NEO MAGNET TRACK 100 - 230V**

pp. 11-12 **EASY NEO GHOST ADAPTOR TRACK 230V**

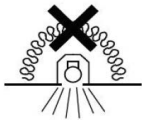


**BEFORE INSTALLING
THE LIGHTING FIXTURE
PLEASE READ
THE INSTALLATION
MANUAL CAREFULLY.**

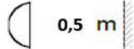
SETTABLE LUMINAIRES
DRY LOCATION USE ONLY
ONLY FOR 3 PHASE TRACK 230VAC

CAUTION: TO reduce the risk of fire, do not install in a compartment smaller than 30cm by 30cm by length of product

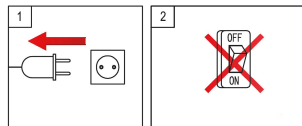
- The light source contained in this appliance must only be replaced by the manufacturer or its service department or by equally qualified technicians.
- Lamps should always be installed or replaced with care.
- Don't use over rated power lamp.
- Relamping must only be carried out when the power supply is disconnected and the lamp has completely cooled down.
- Clean the fixtures with a soft cloth and a standard PH natural detergent stainless finishing.
- Misuse of, or modifications to, the fixture shall void the warranty.
- This luminaire is IP20, indoor use only.
- If the external flexible cable of this appliance is damaged, it shall be replaced only by the manufacturer, its service agent, or similarly qualified personnel to prevent any risk of hazard.



Product cannot be covered
with insulation material



Keep the product at least
0.5m from illuminated object

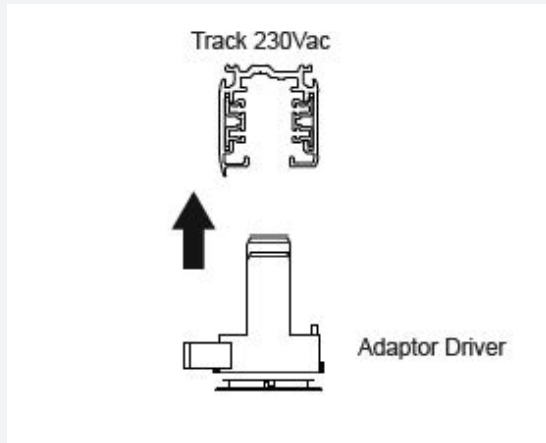


Shut off the power supply Operate without electricity



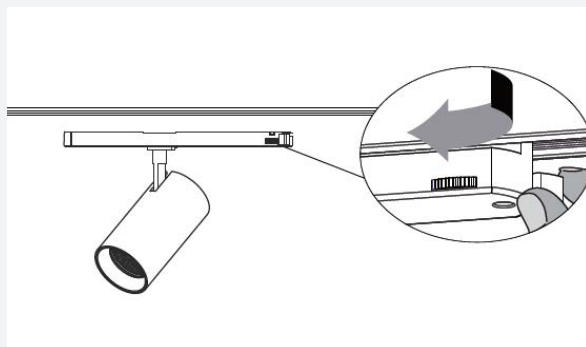
SURFACED INSTALLATION FOR EASY NEO TRACK 230V

1



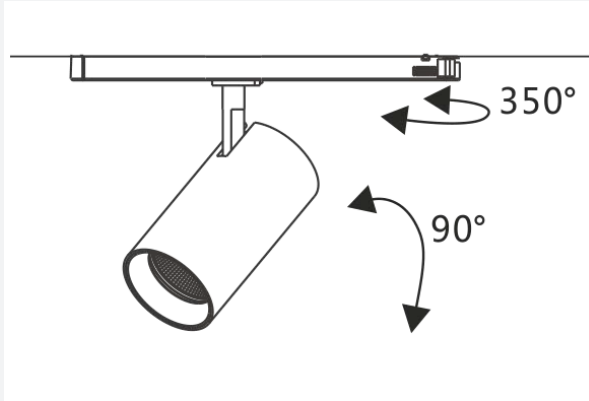
Remove the plastic bag from the spotlight, then insert adaptor driver inside track 230 Vac

2



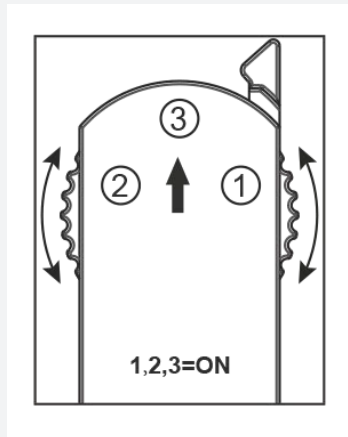
Lock the adaptor driver

3



Installation is complete. Spotlight focusing must be carried out only by qualified technicians

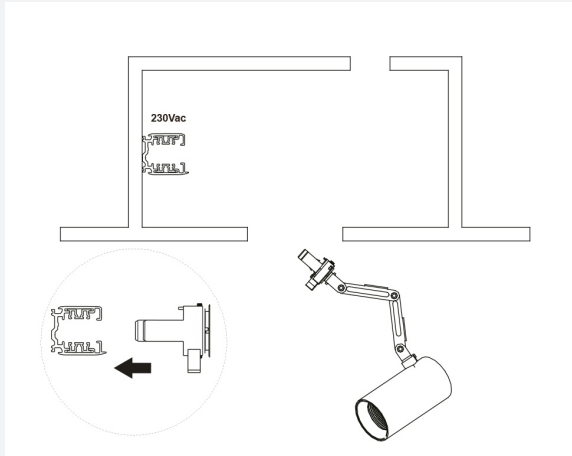
4



Rotate till the spotlight turns on

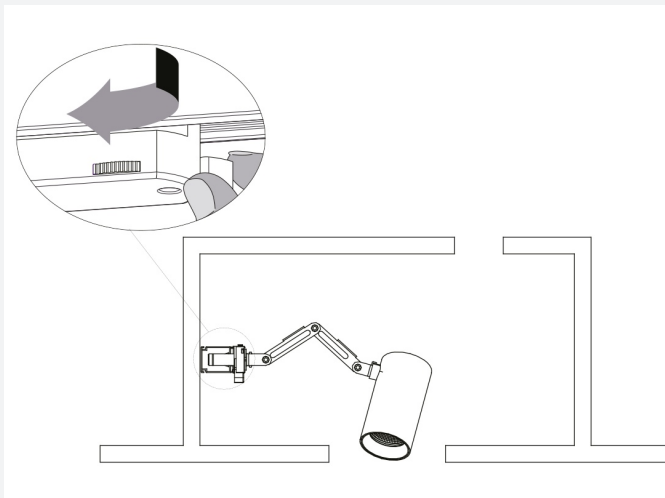
RECESSED INSTALLATION FOR EASY NEO DOUBLE ARM TRACK 230V

1



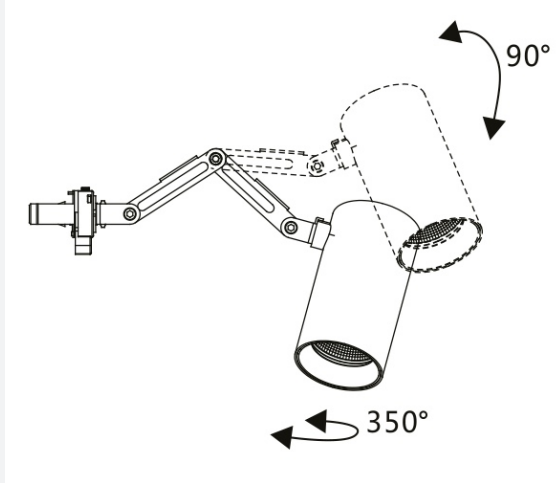
Put spotlight inside track 230Vac, then remove the plastic bag from the spotlight

2



Lock the adaptor driver

3

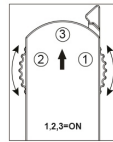
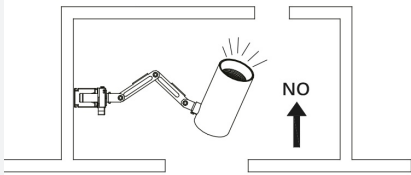


Adjust to the suitable position

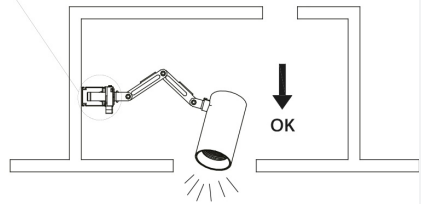
4



NO

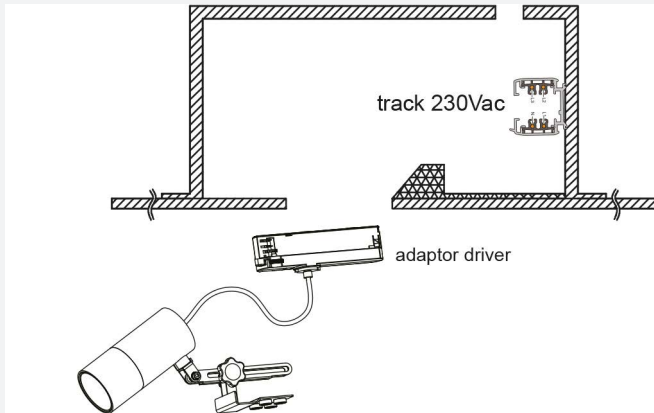


OK



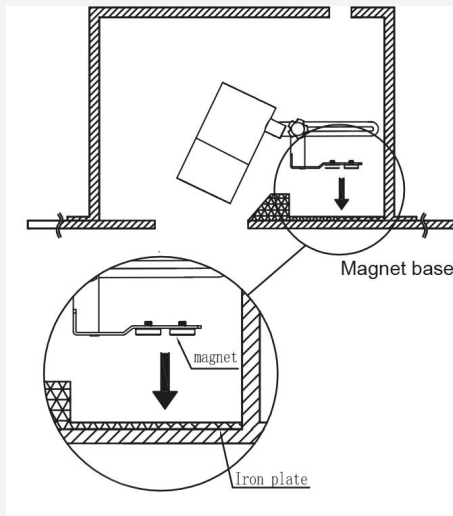
Rotate till the spotlight turns on

1



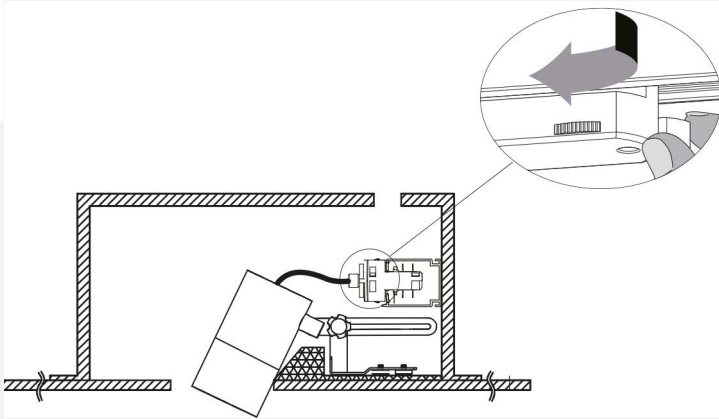
Remove the plastic bag from the spotlight, then insert adaptor driver inside track 230 Vac

2



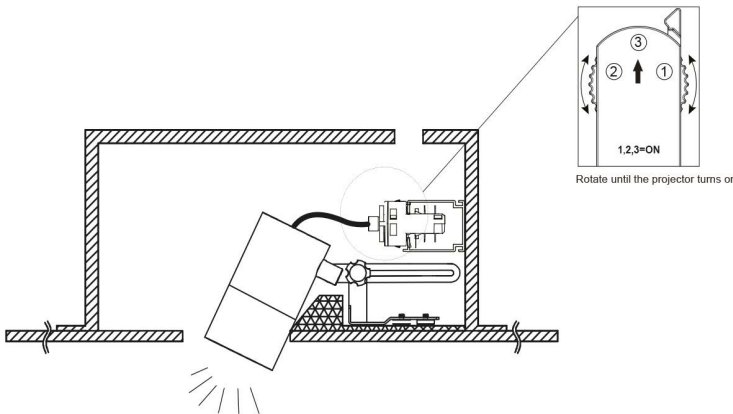
Fix the magnetic spotlight base onto the magnetic plate

3



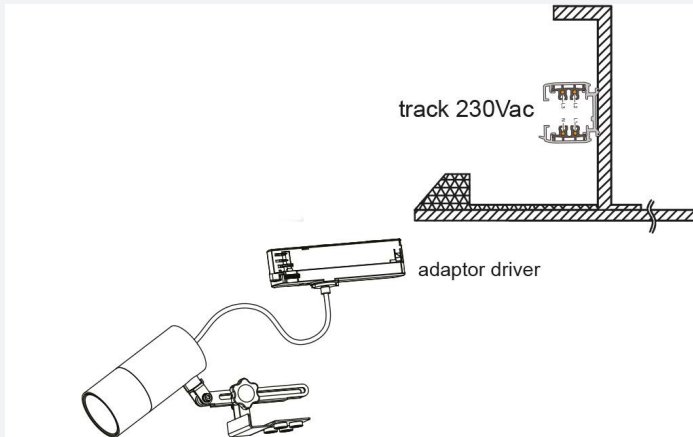
Lock the adaptor driver

4



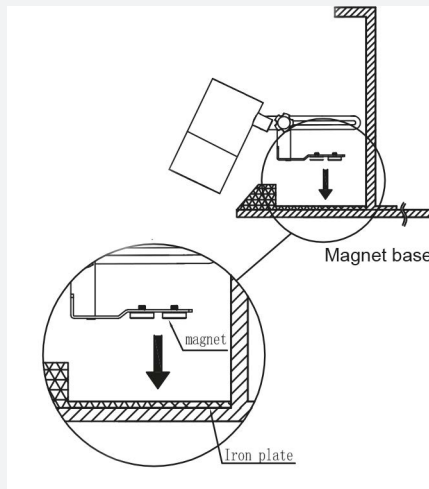
Rotate till the spotlight turns on

1



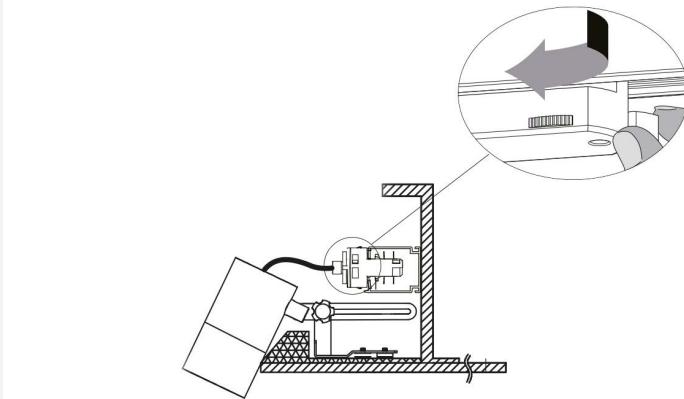
Remove the plastic bag from the spotlight, then insert adaptor driver inside track 230 Vac

2



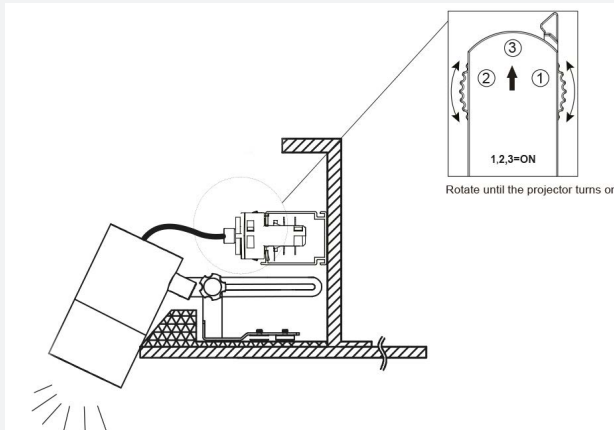
Fix the magnetic spotlight base onto the magnetic plate

3



Lock the adaptor driver

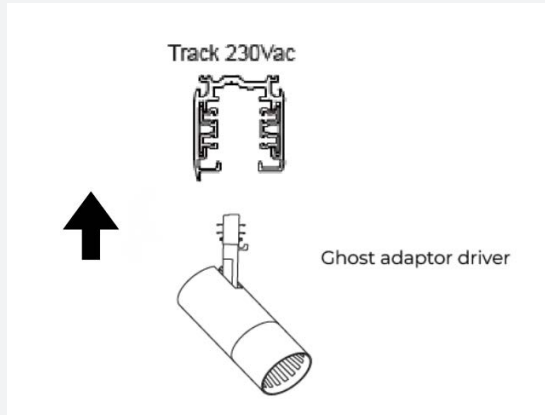
4



Rotate till the spotlight turns on

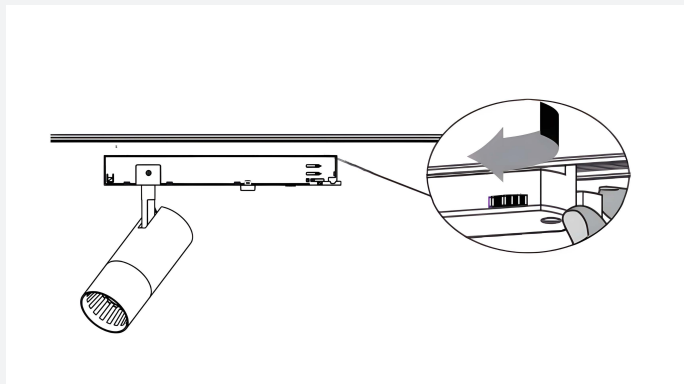
SURFACE INSTALLATION FOR EASY NEO GHOST ADAPTOR TRACK 230V

1



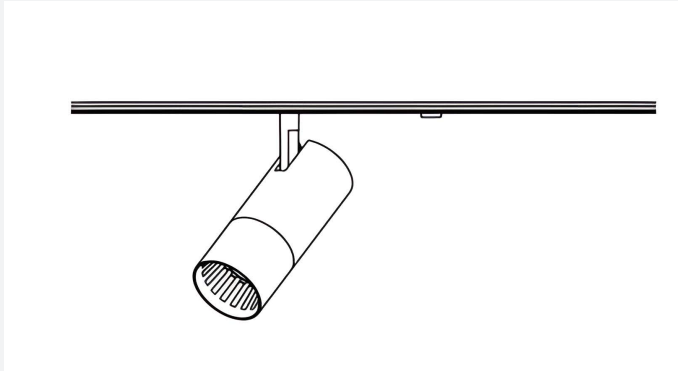
Put spotlight inside track 230Vac, then remove the plastic bag from the spotlight

2



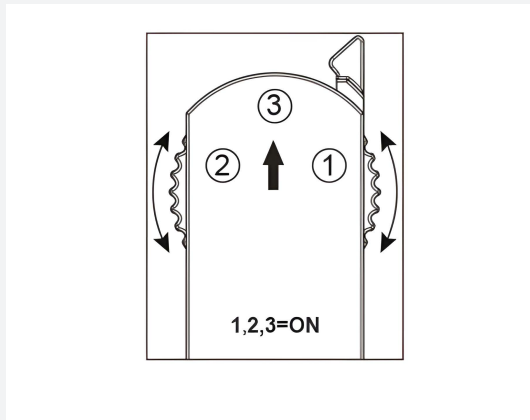
Lock the adaptor driver

3



Installation is complete. Spotlight focusing must be carried out only by qualified technicians

4



Rotate till the spotlight turns on