

SPOTLIGHT TRACK 230V



EASY 62 NEO T022



APPLICATIONS

ARCHITECTURAL HIGHLIGHTING
DIRECT ILLUMINATION
SHOP WINDOWS LIGHTING
SHELF LIGHTING
SHOWCASE LIGHTING
COVE LIGHTING

FEATURES

CUSTOMIZABLE FINISHING
WIDE COLOR TEMPERATURE SPECTRUM
IP20 IP44 IP65
UNIFORM LIGHT DIFFUSION
LED CONFIGURATION



For more information please check our website www.fluxitalia.com

or contact us tel.+39 071 0960086 email: info@fluxitalia.com

Via Armando Cingolani, 13 Zona ind.le Sambucheto di Recanati 62019 Recanati (MC) - Italy

PRODUCT INFO

T022

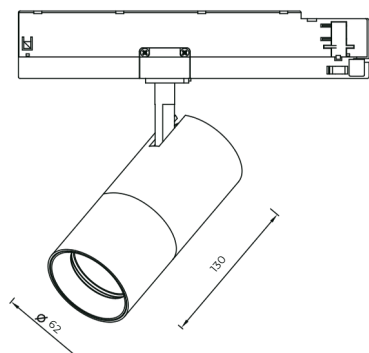


TECHNICAL DATA

| | |
|-----------------------------|---|
| LED TYPE | COB |
| POWER MAX (W) | 25W |
| LUMINOUS FLUX (lm)* | 2136 |
| LUMINOUS EFFICIENCY (lm/W) | ≥85 |
| COLOUR RENDERING INDEX (RA) | CRI≥90 |
| LED COLOUR (K) | 2700K - 3000K - 3500K - 4000K - TW |
| STEP MCADAM | SDCM 3 |
| AVERAGE OPERATIONAL LIFE | 50.000 HRS |
| OPTIC | LENS |
| BEAM ANGLE | 18° - 25° - 36° - 60° |
| LIGHT DISTRIBUTION | SYMMETRIC |
| LIGHT DIRECTION | ADJUSTABLE |
| IP PROTECTION GRADE | IP20 |
| TYPE OF INSTALLATION | HIGH VOLTAGE TRACK |
| DRIVER | BUILT IN |
| DIMENSION | Ø62x130 |

*refers to max W / 4000K / 18°

DRAWINGS



COLORS

STANDARD



WHITE



BLACK

ON REQUEST



ACCESSORIES

T022

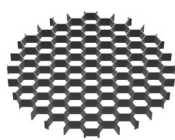
LENS FILM



FRESNEL



FROSTED



HONEYCOMB

OPTIC



LENS



REFLECTOR

COMPATIBLE HIGH VOLTAGE TRACK



T094



T095



T096



T097



T098

