

F  
L  
U  
X  
  
S  
R  
L

SWITCH CU  
TRACK 230 15-20-25-30 W



Sede Legale:

Via Brigata Macerata, 70 -  
62100 MACERATA - ITALIA

P.I. IT 01997820434 -

REA: MC-253306

T. +39.071.0960074

[info@fluxitalia.com](mailto:info@fluxitalia.com)

[www.fluxitalia.com](http://www.fluxitalia.com)

<b>PRODUCT SERIES</b>	<b>SWITCH CU TRACK 15/20/25/30</b>
-----------------------	--

**LIGHT SOURCE**

POWER SETTABLE	15W-20W-25W-30W
----------------	-----------------

LUMINOUS FLUX	1700LM-2000LM-2500LM-3000LM
---------------	-----------------------------

COLOUR RENDERING INDEX (RA)	CRI >97
-----------------------------	---------

LED COLOUR TEMPERATURE (K)	2700K 3000K -4000K - 5000K
----------------------------	----------------------------

AVERAGE OPERATIONAL LIFE	5 YEARS
--------------------------	---------

**OPTIC**

REFLECTOR	PLASTIC REFLECTOR
-----------	-------------------

BEAM ANGLE	15° - 24° - 36° - 60°
------------	-----------------------

**LED FIXTURE**

HOUSING	ALUMINIUM
---------	-----------

FINISH/ COLOUR	WHITE / BLACK
----------------	---------------

IP PROTECTION GRADE	IP20
---------------------	------

INSULATION CLASS	CLASS II
------------------	----------

**ELECTRICAL FEATURES**

SWITCHABLE CURRENT	400MA/500MA/600MA/750MA
--------------------	-------------------------

DIMENSIONS	D80 x H160 MM
------------	---------------

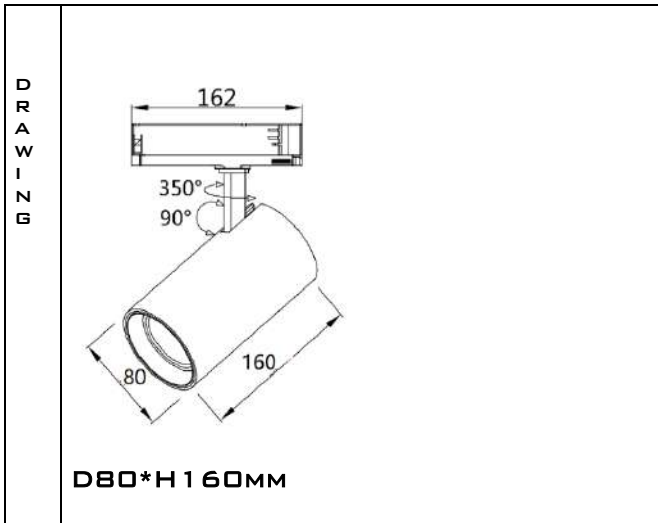
TYPE OF INSTALLATION	3 PHASE TRACK ADAPTER 220-240VAC
----------------------	----------------------------------

TILT	90°
------	-----

ROTATION	350°
----------	------

APPROVAL	CE / ROHS
----------	-----------

**DIMENSIONS**



**OPTIC & PHOTOMETRIC DATA**

**30W 4000°K**

