

**F
L
U
X

S
R
L**

SWITCH CCT

TRACK

230 10 W



Sede Legale:
 Via Brigata Macerata, 70 -
 62100 MACERATA – ITALIA
 P.I. IT 01997820434 -
 REA: MC-253306
 T. +39.071.0960074
info@fluxitalia.com
www.fluxitalia.com

Product Series		SWITCH CCT TRACK 10W
LIGHT SOURCE		
Power	SETTABLE	10W
Luminous Flux		1000LM
Colour Rendering Index (Ra)		CRI >90
led colour temperature (K)	SWITCHABLE:	2700K - 3000K -4000K
Average operational life		5 YEARS
OPTIC		
REFLECTOR		PLASTIC REFLECTOR
Beam Angle		15° - 24° - 36° - 60°

LED FIXTURE

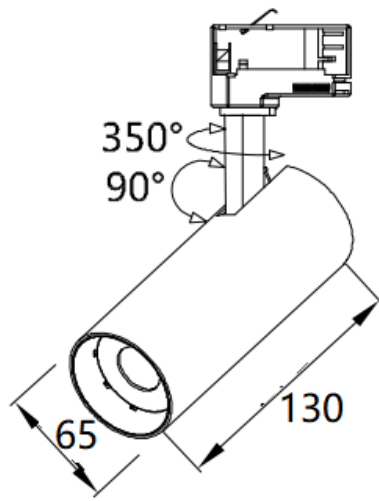
Housing	ALUMINIUM
Finish/ Colour	WHITE / BLACK
IP Protection Grade	IP20
Insulation Class	CLASS II

ELECTRICAL FEATURES

DIMENSIONS	D65 x H130 mm
Type of Installation	3 PHASE TRACK ADAPTER 220-240VAC
Tilt	90°
Rotation	350°
Approuval	CE / ROHS

dimensions

D
R
A
W
I
N
G



D65*H130mm



SWITCHABLE