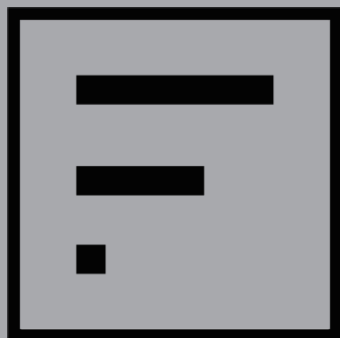


# EYE CUBE TRIMLESS



F  
L  
U  
X  
  
S  
R  
L

**Sede Legale:**

Via Brigata Macerata, 70 - 62100  
MACERATA - ITALIA  
P.I. IT 01997820434 -  
REA: MC-253306  
T. +39.071.0960074  
info@fluxitalia.com  
www.fluxitalia.com

**PRODUCT SERIES****EYE CUBE****LIGHT SOURCE**

|                            |                            |
|----------------------------|----------------------------|
| LED TYPE                   | COB                        |
| POWER MAX                  | 15W                        |
| LUMINOUS FLUX              | 1635LM                     |
| LUMINOUS EFFICIENCY(LM/W)  | 144LM/W                    |
| ENERGY EFFICIENCY INDEX    | A+                         |
| COLOUR RENDERING INDEX(RA) | CRI>90                     |
| LED COLOUR TEMPERATURE(K)  | 2700K-3000K<br>3500K-4000K |
| STEP McADAM                | SDCM 2                     |
| AVERAGE OPERATIONAL LIFE   | 30.000 HRS                 |

**OPTIC**

|                             |   |
|-----------------------------|---|
| REFLECTOR                   | PLASTIC REFLECTOR                         |
| BEAM ANGLE                  | 14°-24°-36°                               |
| LIGHT DISTRIBUTION SYMMETRY | SYMMETRIC                                 |
| ACCESSORIES                 | FRESNEL LENS<br>FROSTED LENS<br>HONEYCOMB |

**LED FIXTURE**

|                     |   |
|---------------------|---|
| HOUSING             | ALUMINIUM   |
| FINISH/ COLOUR      | MATTE WHITE/MATTE BLACK/<br>SILVER GREY<br>CUSTOMIZED RAL COLOUR (on request) |
| IP PROTECTION GRADE | IP20  |
| INSULATION CLASS    | CLASS III   |


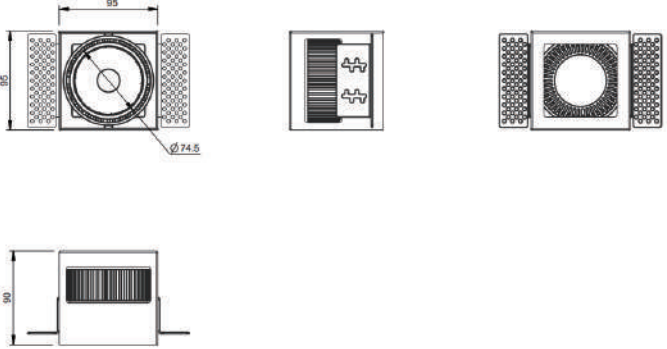
**ELECTRICAL FEATURES**

|                                   |                   |
|-----------------------------------|-------------------|
| DRIVER                            | REMOTE            |
| FIXED OR DIMMABLE                 | PUSH/1-10V/DALI   |
| FOR EMERGENCY LIGHTING CONNECTION | SUITABLE<br>350MA |

**MECHANICAL FEATURES**

|                      |                      |
|----------------------|----------------------|
| DIMENSIONS (MM)      | SQ95XH90MM           |
| WEIGHT               | 0.638KGS             |
| TYPE OF INSTALLATION | RECESSED<br>TRIMLESS |
| APPROVAL             | CE/ROHS              |

# TECHNICAL DATA

|                                  |   |  |  |
|----------------------------------|---|--|--|
| <p>P<br/>H<br/>O<br/>T<br/>O</p> |  | <p>D<br/>R<br/>A<br/>W<br/>I<br/>N<br/>G</p> |  <p>CUT HOLE:96X96MM</p> |
|----------------------------------|---|--|--|

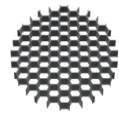
# ACCESSORIES



FRESNEL



FROSTED



HONEYCOMB