



F  
L  
U  
X  
  
S  
R  
L

# DOUBLE TRIMLESS BOX EASY 62 MAGNET 32



**Sede Legale:**

Via Brigata Macerata, 70 - 62100  
MACERATA - ITALIA  
P.I. IT 01997820434 -  
REA: MC-253306  
T. +39.071.0960074  
info@fluxitalia.com  
www.fluxitalia.com

# PRODUCT SERIES EASY MAGNET

## LIGHT SOURCE

LED TYPE	COB
POWER MAX	2x(18W-25W)
LUMINOUS FLUX	2x(2120-2550LM)
LUMINOUS EFFICIENCY(LM/W)	121LM/W
ENERGY EFFICIENCY INDEX	A+
COLOUR RENDERING INDEX(RA)	CRI>90
LED COLOUR TEMPERATURE(K)	3000K-3200K 3500K-4000K
STEP McADAM	SDCM 2
AVERAGE OPERATIONAL LIFE	30.000 HRS

## OPTIC

REFLECTOR	PLASTIC REFLECTOR
BEAM ANGLE	14°-24°-36°
LIGHT DISTRIBUTION SYMMETRY	SYMMETRIC
ACCESSORIES	FRESNEL LENS FROSTED LENS HONEYCOMB SNOOTER

## LED FIXTURE

HOUSING	ALUMINIUM
FINISH/ COLOUR	MATTE WHITE/MATTE BLACK/ SILVER GREY CUSTOMIZED RAL COLOUR (on request)
IP PROTECTION GRADE	IP20
INSULATION CLASS	CLASS III


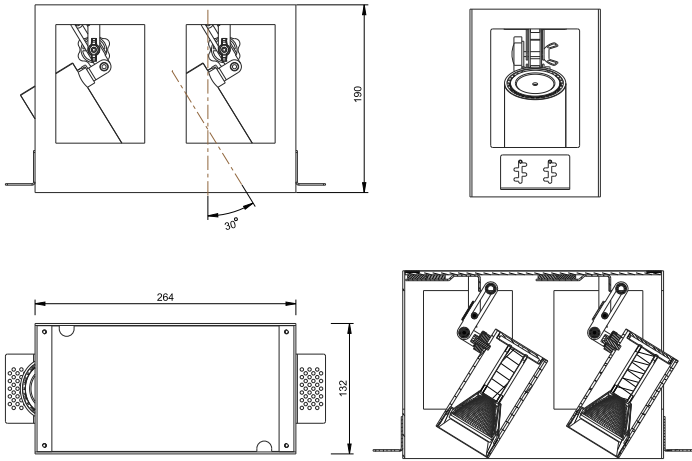
## ELECTRICAL FEATURES

DRIVER	REMOTE
FIXED OR DIMMABLE	PUSH/1-10V/DALI
FOR EMERGENCY LIGHTING	SUITABLE
CONNECTION	2x(500MA-600MA)

## MECHANICAL FEATURES

DIMENSIONS (MM)	D62XH115MM
DIMENSIONS OF TRIMLESS BOX(MM)	L264XW132XH190MM
WEIGHT	0.665KGS EACH SPOT(NOT INCLUDING BOX)
TYPE OF INSTALLATION	MAGNET BASE ARM32 WITH BOX
APPROVAL	UL E514245 CB CE ROHS

# TECHNICAL DATA

<p>P H O T O</p>		<p>D R A W I N G</p>	
----------------------------------	---	--	--

# ACCESSORIES



FRESNEL



FROSTED



HONEYCOMB

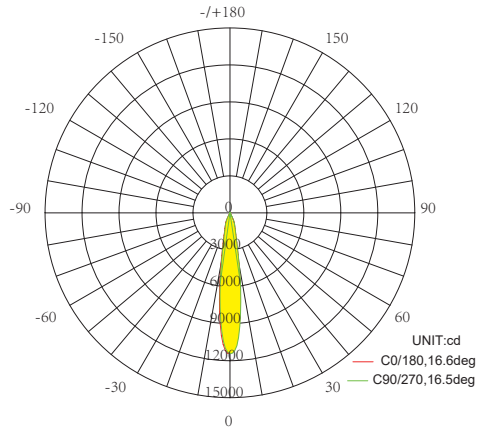


SNOOTER

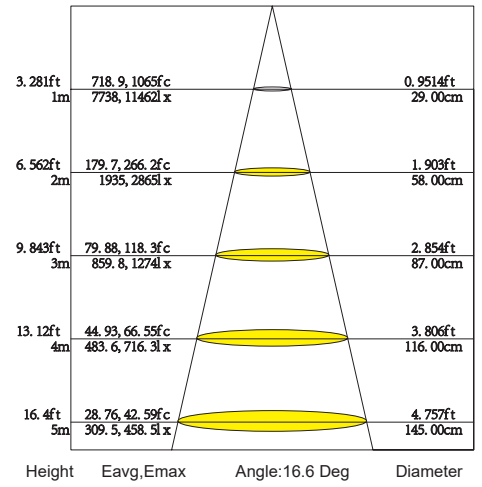
# OPTIC & PHOTOMETRIC DATA



S-Spot  
q 9°-15°



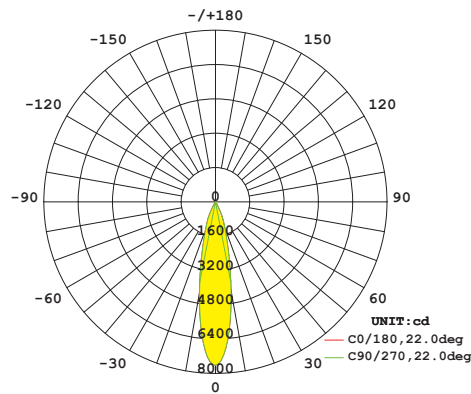
AVERAGE BEAM ANGLE(50%): 16.6 DEG



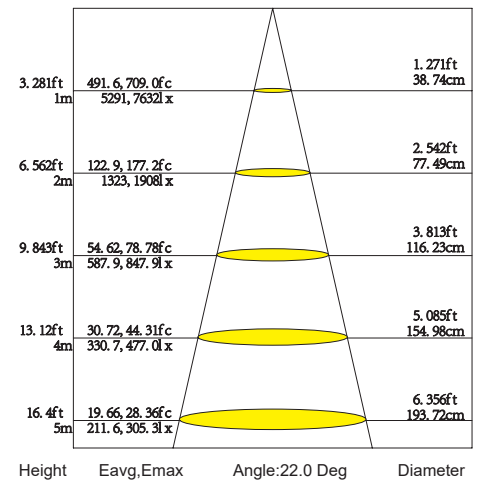
14° 20W 3500K RA>90 CLEAR LENS



M-Medium  
q 16°-25°



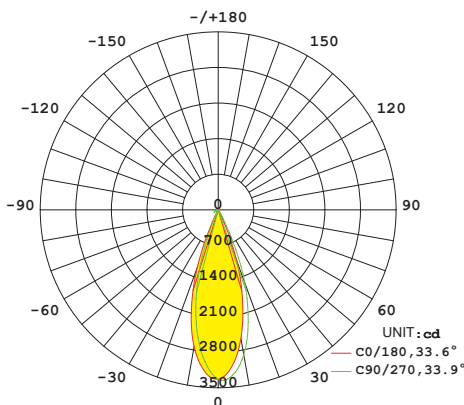
AVERAGE BEAM ANGLE(50%): 22.0 DEG



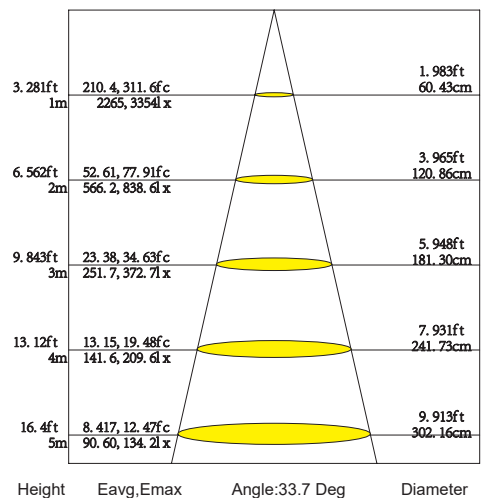
24° 20W 3500K RA>90 CLEAR LENS



F-Flood  
q 36°-39°



AVERAGE BEAM ANGLE(50%): 33.7 DEG



36° 20W 3500K RA>90 CLEAR LENS