

F
L
U
X

S
R
L

EASY62 MAGNET DOUBLE ARM



Sede Legale:

Via Brigata Macerata, 70 - 62100

MACERATA - ITALIA

P.I. IT 01997820434 -

REA: MC-253306

T. +39.071.0960074

info@fluxitalia.com

www.fluxitalia.com

PRODUCT SERIES EASY MAGNET

LIGHT SOURCE

LED TYPE	COB
POWER MAX	18W-25W
LUMINOUS FLUX	2120-2550LM
LUMINOUS EFFICIENCY(LM/W)	121LM/W
ENERGY EFFICIENCY INDEX	A+
COLOUR RENDERING INDEX(RA)	CRI>90
LED COLOUR TEMPERATURE(K)	3000K-3200K 3500K-4000K
STEP McADAM	SDGM 2
AVERAGE OPERATIONAL LIFE	30.000 HRS

OPTIC

REFLECTOR	PLASTIC REFLECTOR
BEAM ANGLE	14°-24°-36°
LIGHT DISTRIBUTION SYMMETRY	SYMMETRIC
ACCESSORIES	FRESNEL LENS FROSTED LENS HONEYCOMB SNOOTER

LED FIXTURE

HOUSING	ALUMINIUM
FINISH/ COLOUR	MATTE WHITE/MATTE BLACK/ SILVER GREY CUSTOMIZED RAL COLOUR (on request)
IP PROTECTION GRADE	IP20
INSULATION CLASS	CLASS III

ELECTRICAL FEATURES


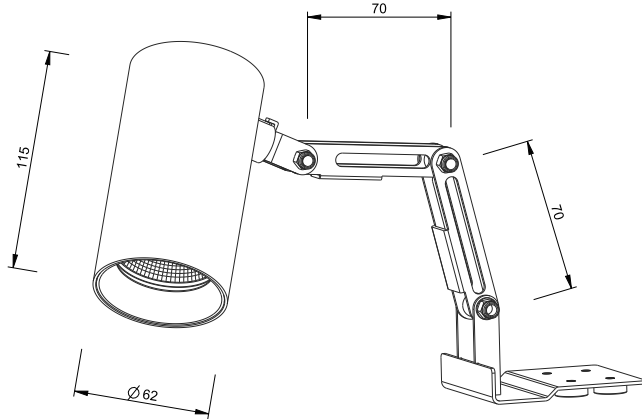
DRIVER	REMOTE
FIXED OR DIMMABLE	PUSH/1-10V/DALI
FOR EMERGENCY LIGHTING	SUITABLE
CONNECTION	500MA-600MA

MECHANICAL FEATURES





DIMENSIONS (MM)	D62XH115MM
WEIGHT	0.700KGS
TYPE OF INSTALLATION	MAGNET BASE DOUBLE ARM70+70
APPROVAL	UL E514245 CB CE ROHS



TECHNICAL DATA

P H O T O	 A photograph of a black, adjustable desk lamp. The lamp has a cylindrical head with a mesh grille at the bottom, a long, articulated arm with two joints, and a base with a mounting plate and a small rectangular detail.	D R A W I N G	 A technical line drawing of the lamp. It shows the same components as the photograph. Dimensions are indicated: the height of the lamp head is 115, the diameter of the head is $\varnothing 62$, the length of the arm is 70, and the height of the base is 70.
-----------------------	--	---------------------------------	--

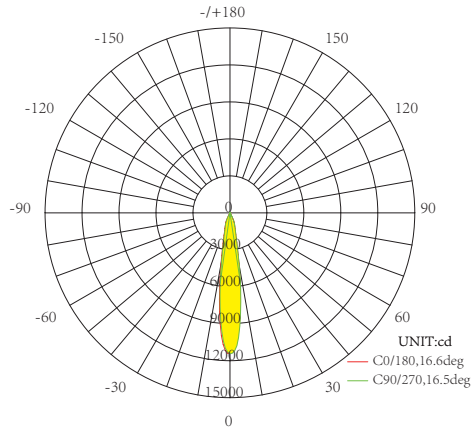
ACCESSORIES

-  FRESNEL
-  FROSTED
-  HONEYCOMB
-  SNOOTER

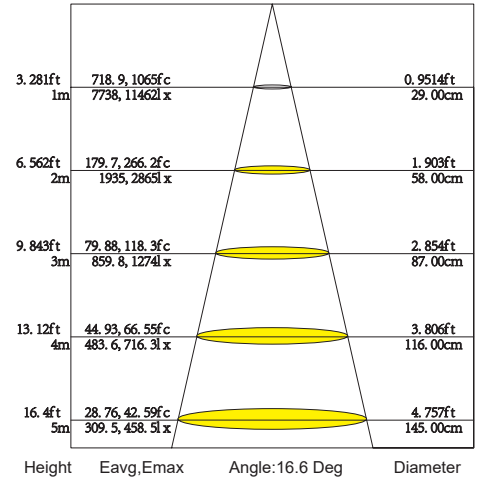
OPTIC & PHOTOMETRIC DATE



S-Spot
q 9°-15°



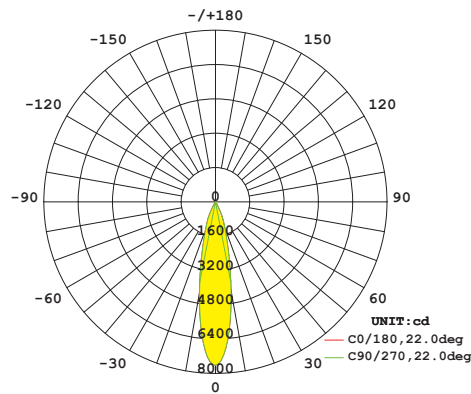
AVERAGE BEAM ANGLE(50%):16.6 DEG



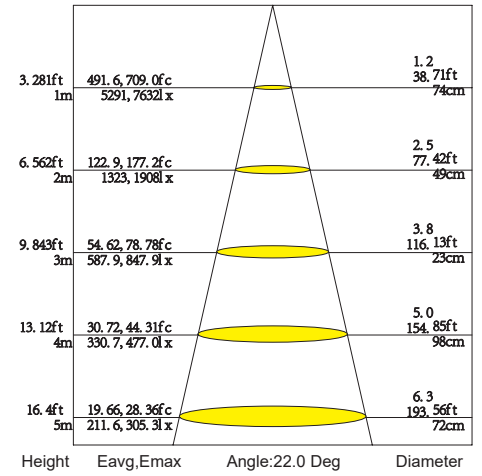
14° 20W 3500K RA>90 CLEAR LENS



M-Medium
q 16°-25°



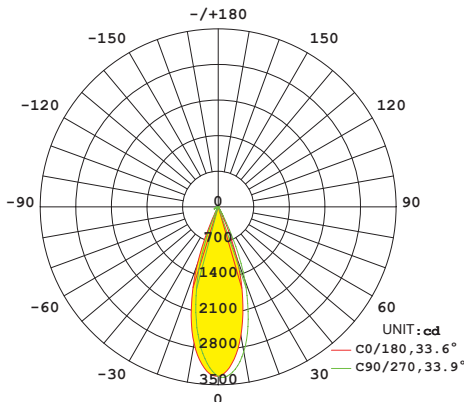
AVERAGE BEAM ANGLE(50%):22.0 DEG



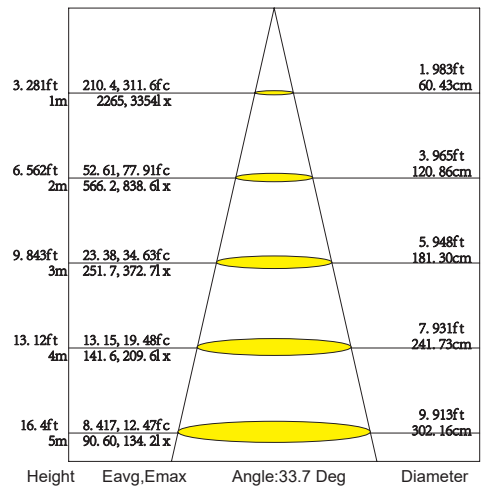
24° 20W 3500K RA>90 CLEAR LENS



F-Flood
q 36°-39°



AVERAGE BEAM ANGLE(50%):33.7 DEG



36° 20W 3500K RA>90 CLEAR LENS