

F  
L  
U  
X  
  
S  
R  
L

## PERLA ULTRA MINI MAGNET 4W



**Sede Legale:**

Via Brigata Macerata, 70 - 62100  
MACERATA - ITALIA  
P.I. IT 01997820434 -  
REA: MC-253306  
T. +39.071.0960074  
info@fluxitalia.com  
www.fluxitalia.com

## PRODUCT SERIES

## PERLA 4

## LIGHT SOURCE

LED TYPE	CHIP
POWER MAX	4W
LUMINOUS FLUX	365LM
LUMINOUS EFFICIENCY(LM/W)	114LM/W
ENERGY EFFICIENCY INDEX	A+
COLOUR RENDERING INDEX(RA)	CRI>90
LED COLOUR TEMPERATURE(K)	3000K-3200K 3500K-4000K
STEP McADAM	SDCM 3
AVERAGE OPERATIONAL LIFE	30.000 HRS

## OPTIC

REFLECTOR	PLASTIC LENS
BEAM ANGLE	20°
LIGHT DISTRIBUTION SYMMETRY	SYMMETRIC
ACCESSORIES	FRESNEL LENS SATIN FILM HONEYCOMB FLAT-MEDIUM-LONG RING

## LED FIXTURE

HOUSING	ALUMINIUM
FINISH/ COLOUR	MATTE WHITE/MATTE BLACK/ SILVER GREY CUSTOMIZED RAL COLOUR (on request)
IP PROTECTION GRADE	IP20
INSULATION CLASS	CLASS III


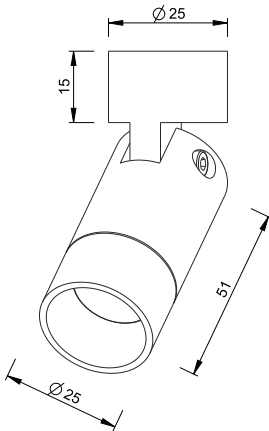
## ELECTRICAL FEATURES

DRIVER	REMOTE
FIXED OR DIMMABLE	PUSH/1-10V/DALI
FOR EMERGENCY LIGHTING	SUITABLE
CONNECTION IN	90MA

## MECHANICAL FEATURES

DIMENSIONS (MM)	D25XH51MM
WEIGHT	0.150KGS
TYPE OF INSTALLATION	MAGNET BASE
APPROVAL	UL   CB   CE   ROHS

# TECHNICAL DATA

P H O T O	
D R A W I N G S	

# ACCESSORIES



FRESNEL



FROSTED

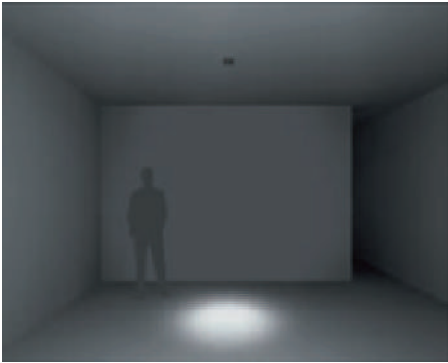


HONEYCOMB



LONG RING

# OPTIC & PHOTOMETRIC DATA



M-Medium  
q 10°-15°

