

F
L
U
X

S
R
L

EASY62 MAGNET-32



Sede Legale:

Via Brigata Macerata, 70 - 62100

MACERATA - ITALIA

P.I. IT 01997820434 -

REA: MC-253306

T. +39.071.0960074

info@fluxitalia.com

www.fluxitalia.com

PRODUCT SERIES

EASY MAGNET

LIGHT SOURCE

LED TYPE	COB
POWER MAX	18W-25W
LUMINOUS FLUX	2120-2550LM
LUMINOUS EFFICIENCY(LM/W)	121LM/W
ENERGY EFFICIENCY INDEX	A+
COLOUR RENDERING INDEX(RA)	CRI>90
LED COLOUR TEMPERATURE(K)	3000K-3200K 3500K-4000K
STEP McADAM	SDCM 2
AVERAGE OPERATIONAL LIFE	30.000 HRS

OPTIC

REFLECTOR	PLASTIC REFLECTOR
BEAM ANGLE	14°-24°-36°
LIGHT DISTRIBUTION SYMMETRY	SYMMETRIC
ACCESSORIES	FRESNEL LENS FROSTED LENS HONEYCOMB SNOOTER

LED FIXTURE

HOUSING	ALUMINIUM
FINISH/ COLOUR	MATTE WHITE/MATTE BLACK/ SILVER GREY CUSTOMIZED RAL COLOUR (on request)
IP PROTECTION GRADE	IP20
INSULATION CLASS	CLASS III

ELECTRICAL FEATURES

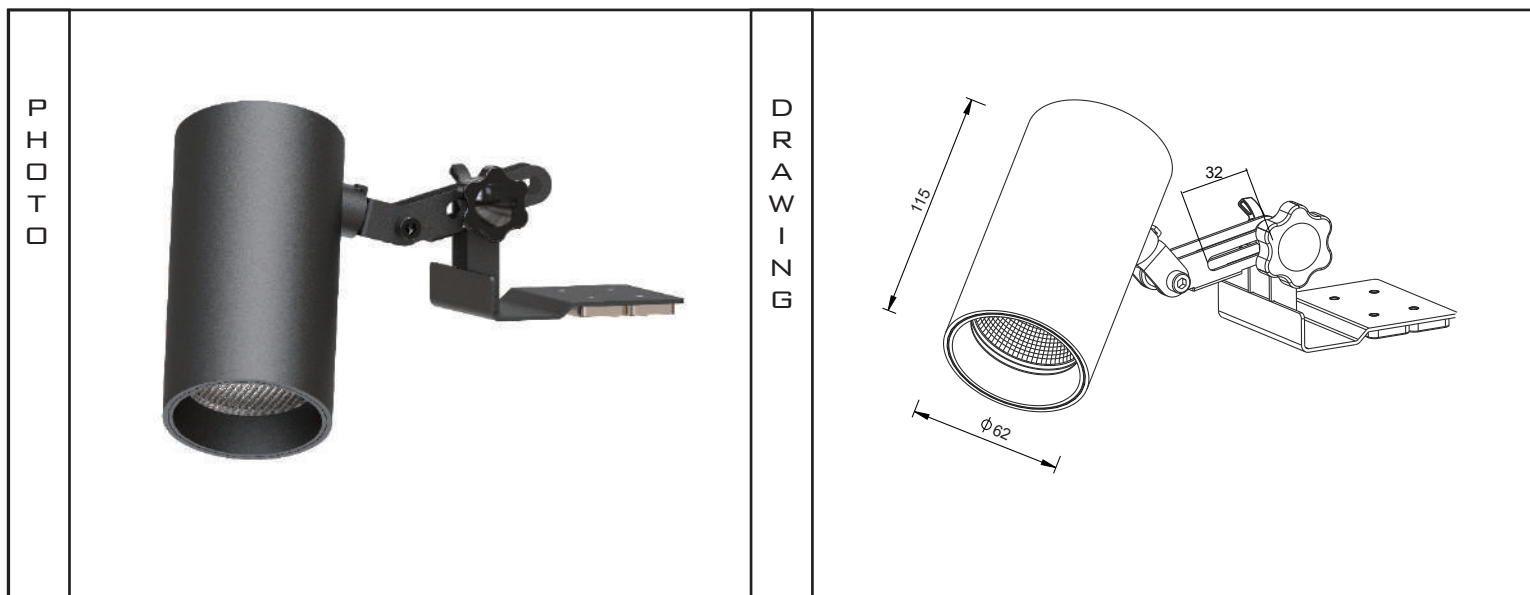
DRIVER	REMOTE
FIXED OR DIMMABLE	PUSH/1-10V/DALI
FOR EMERGENCY LIGHTING	SUITABLE
CONNECTION	500MA-600MA

MECHANICAL FEATURES

DIMENSIONS (MM)	D62XH115MM
WEIGHT	0.665KGS
TYPE OF INSTALLATION	MAGNET BASE ARM32
APPROVAL	UL E514245 CB CE ROHS



TECHNICAL DATA



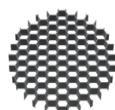
ACCESSORIES



FRESNEL



FROSTED



HONEYCOMB

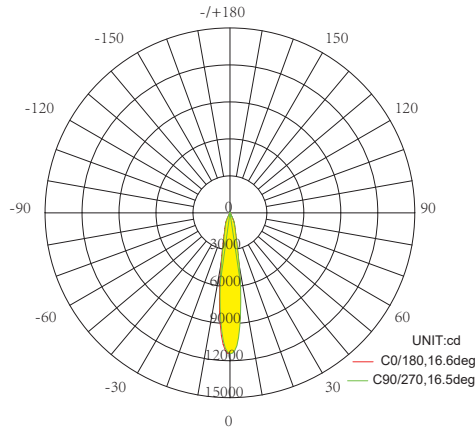


SNOOTER

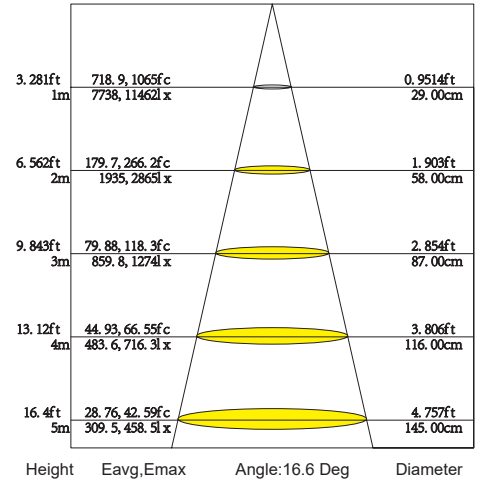
OPTIC & PHOTOMETRIC DATA



S-Spot
q 9°-15°



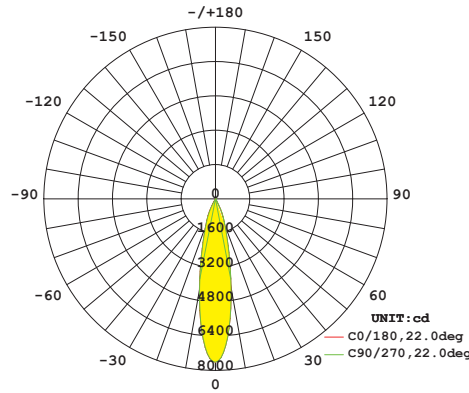
AVERAGE BEAM ANGLE(50%):16.6 DEG



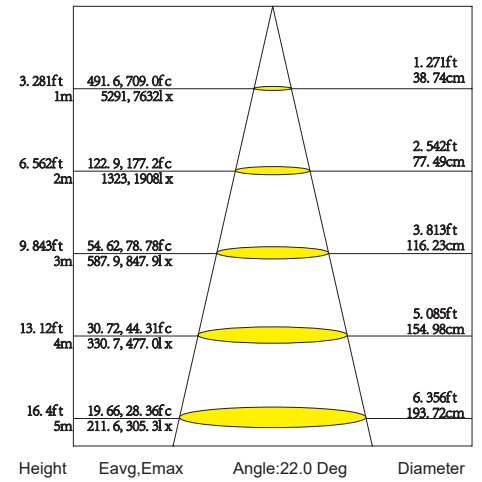
14° 20W 3500K RA>90 CLEAR LENS



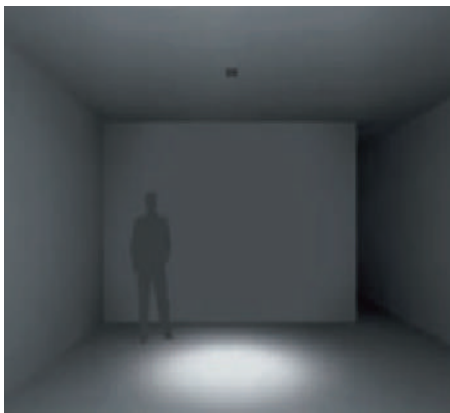
M-Medium
q 16°-25°



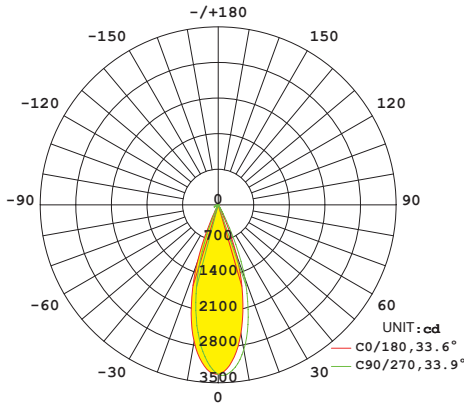
AVERAGE BEAM ANGLE(50%):22.0 DEG



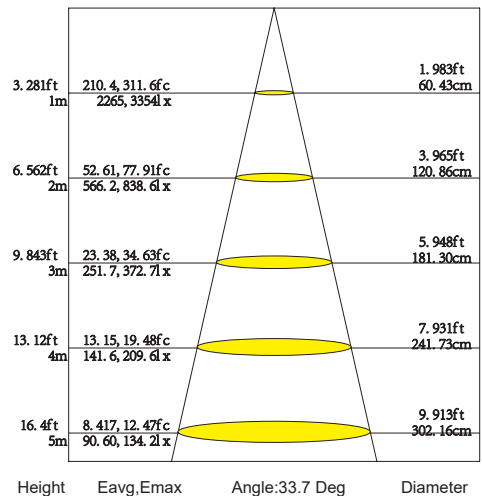
24° 20W 3500K RA>90 CLEAR LENS



F-Flood
q 36°-39°



AVERAGE BEAM ANGLE(50%):33.7 DEG



36° 20W 3500K RA>90 CLEAR LENS