

F
L
U
X

I
T
A
L
I
A

CIRCLE LIGHT



Sede Legale:
Via Brigata Macerata, 70 -
62100 MACERATA - ITALIA
P.I. IT 01997820434 -
REA: MC-253306
T. +39.071.0960074
info@fluxitalia.com
www.fluxitalia.com

PRODUCT SERIES	CIRCLE LIGHT
-----------------------	---------------------

LIGHT SOURCE

LED TYPE	LED STRIP 120 OR 240/LED MT
----------	-----------------------------

POWER	19W /MT
-------	---------

COLOUR RENDERING INDEX (RA)	CRI>80 / >90
-----------------------------	--------------

LED COLOUR TEMPERATURE (K)	3000 K - 3200 K - 3500 K - 4000 K
----------------------------	-----------------------------------

AVERAGE OPERATIONAL LIFE	50.000 HOURS
--------------------------	--------------

OPTIC

COVER	OPAL DIFFUSER
-------	---------------

BEAM ANGLE	120°
------------	------

LED FIXTURE

HOUSING	CURVED ALUMINIUM
---------	------------------

FINISH/ COLOUR	MATT WHITE / MATT BLACK / SILVER GREY / CUSTOM FINISH ON REQUEST
----------------	---------------------------------------------------------------------

IP PROTECTION GRADE	IP20
---------------------	------

ELECTRICAL FEATURES

DRIVER	REMOTE
--------	--------

TYPIC. VOLT. & CURRENT	24V
------------------------	-----

MECHANICAL FEATURES


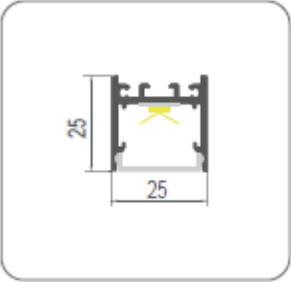
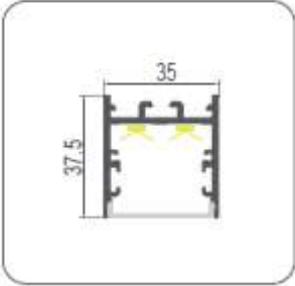
DIMENSIONS (MM)	OUTER DIAMETER 1200MM
-----------------	-----------------------

WEIGHT	
--------	--



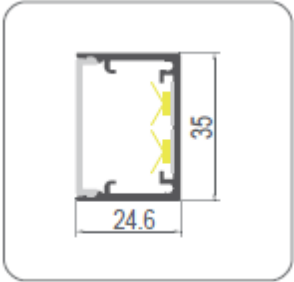
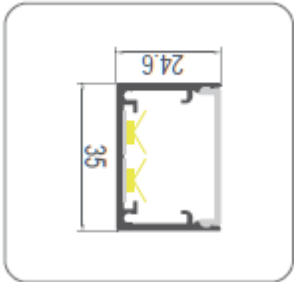


TYPE OF INSTALLATION	PENDANT/ CEILING
----------------------	------------------

APPROVAL	CE / ROHS / CCC
----------	-----------------

DIRECT ILLUMINATION

<p>P R O D U C T P H O T O</p>		<p>D R A W I N G</p>	<p>PROFILE UNIT: MM</p> <p>W25xH25MM</p>  <p>W35xH37.5MM</p> 
----------------------------------------------------------------------------	-----------------------------------------------------------------------------------	----------------------------------------------	-----------------------------------------------------------------------------------------------------------------------------------------------------------------------------------------------------------------------------------

**INWARD/ OUTWARD
ILLUMINATION**

P H O T O	INWARD LIGHTING:	D R A W I N G	PROFILE UNIT: MM
			W24.6xH35MM
			
	OUTWARD LIGHTING:		
			
			

ACCESSORIES

*SUSPENSION KIT / CABLES LENGHT ON REQUEST