

F
L
U
X

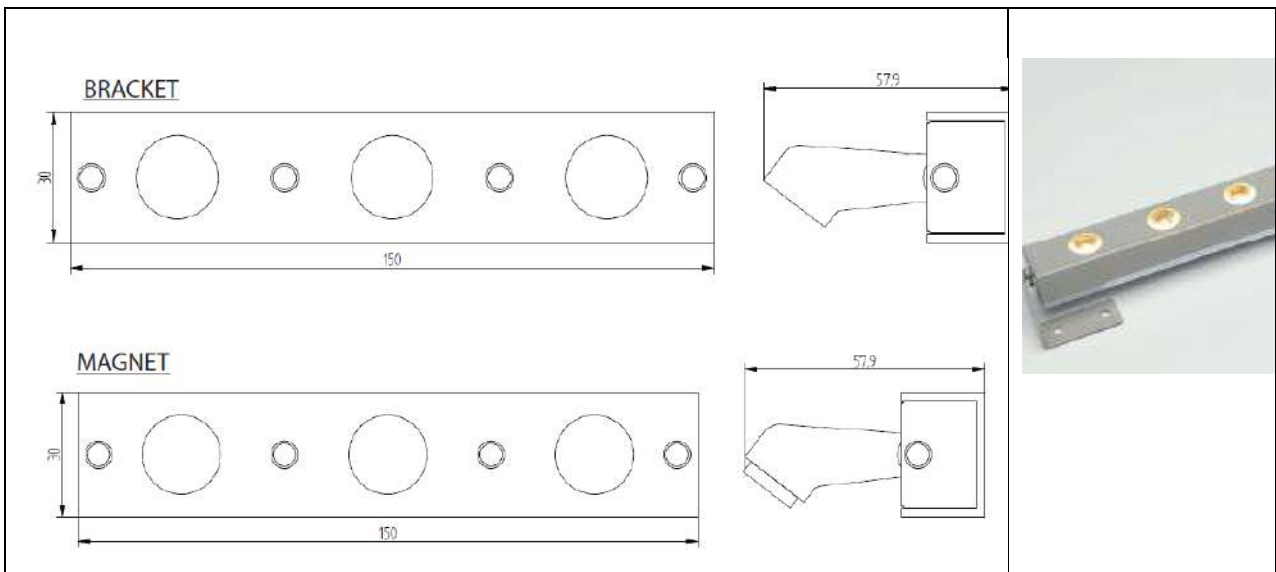
LINEAR LIGHT

PRODUCT INFO

PRODUCT SERIES	LINER LIGHT EVA BAR
POWER	6W(150MM) - 12W(300MM) - 36W(900MM) - 48W(1200MM) - 60W(1500MM) -
SYSTEM EFFICIENCY (LM/W)	120LM/W
CRI	>80
COLOUR TEMPERATURE	3000K - 3200K - 3500K - 4000K - TOLERANCE +/- 100K
SCDM	2 STEP MAC ADAM ELLIPSE
LIFE TIME	50.000 HOURS
FIXING	MAGNETIC / BRACKET
HOUSING	ALUMINIUM PLASTIC LENS
OPTIC	8° - 25° - 30° - 45° - 15°X50° (ELLIPTICAL)
ACCESSORIES	FILM MAKROFOL DE 6-2
FINISHING	MATT WHITE/ MATT BLACK / SILVER GREY/ CUSTOMIZED RAL
DRIVER	INDIPENDENT DRIVER FIXED - 1-10V - DALI
IP CLASS	IP20/ IP67
APPROVAL	CE / UL / CCC / ROHS

DRAWING / PIC.

FOR MORE INFORMATION PLEASE CHECK OUR WEBSITE WWW.FLUXITALIA.COM OR SEND US AN E-MAIL TO INFO@FLUXITALIA.COM



OPTIC

